



Count on it.

Parts Catalog

**20in Recycling/Rear Bagging
Lawn Mower**

Model No. 20314—Serial No. 311000001 and Up

Ordering Replacement Parts

To order replacement parts, please supply the part number, the quantity, and the description of each part desired.

Understanding Reference Numbers

Each identified part in an illustration has a reference number. The reference number for a part also appears in the parts list, along with other information about the part.

This catalog uses two special reference number formats, one to indicate parts in a service assembly and another to indicate the quantity of a given part in an illustration.

Service Assembly Reference Numbers

Parts in service assemblies have reference numbers in the form a:b. The a represents the reference number of the entire service assembly and the b represents a sequential number unique to each part within the service assembly.

For example, a wheel assembly might be identified by reference number 6, the tire by 6:1, the valve by 6:2, and the wheel by 6:3. When you order the assembly identified by reference number 6, you receive all parts identified by reference numbers 6:1, 6:2, and 6:3. However, you may also order any part individually. Reference numbers of this type appear in illustration and in parts lists.

Reference Numbers Indicating Quantity

In an illustration, if a reference number indicates more than one part, the reference number has the form nX y. The n represents the quantity of the part, the X is the multiplication symbol, and the y represents the reference number.

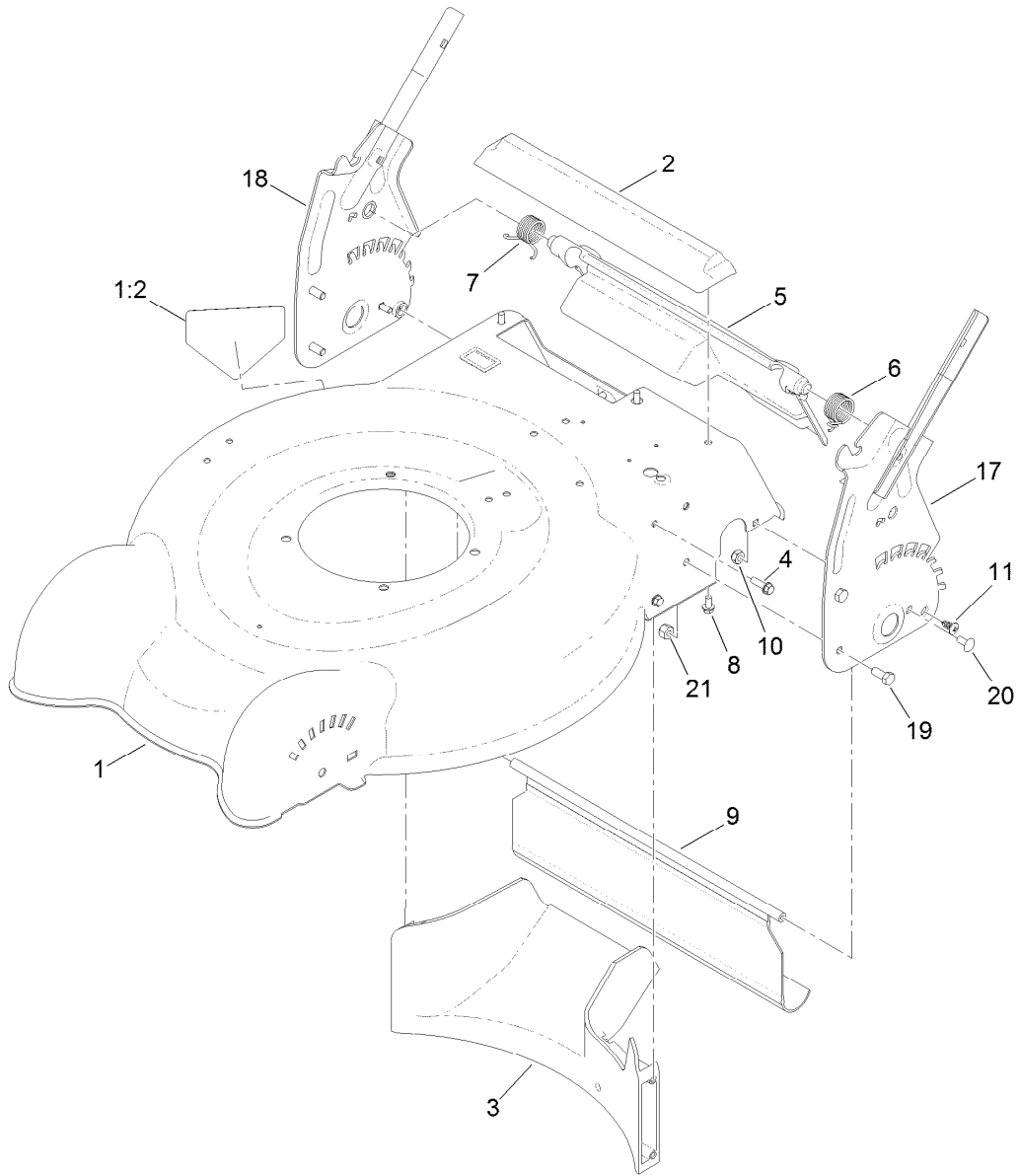
For example, in an illustration, the reference number 2X 37 means that two of the parts identified by reference number 37 are indicated.

List of Abbreviations

AR: as required	HOC: height-of-cut	RRB: rear roller brush
ASM: assembly	HSBH: hex socket button head	SFH: slotted fillister head
BBC: blade brake control	HSFH: hex socket flat head	SHH: slotted hex head
BHTF: button head thread forming	HSH: hex socket head	SHWH: slotted hex washer head
CARR: carriage	HWH: hex washer head	SPH: slotted pan head
CCW: counter clockwise	HWTF: hex washer head thread forming	SQH: square head
CW: clockwise	HYD: hydraulic	SRH: slotted round head
DEG: degrees	LH: left hand	STD: standard
DPA: Dual Point Adjustment	LP: Liquid Propane	TAP: self tapping
ECM: electronic control module	NI: nylon insert	TTH: torx truss head
EXT: external	NPTF: national pipe thread fine	
FH: flat head	PFH: phillips flat head	
GA: gauge	PPH: phillips pan head	
HD: heavy-duty	PPHTF: phillips pan head thread forming	
HF: hex flange	PRH: phillips round head	
HH: hex head	PTH: phillips truss head	
HHF: hex head flange	PTO: power-take-off	
HHFTF: hex head flange thread forming	RH: right hand	
HJ: hex jam	ROPS: roll-over protection system	
HLH: hex lag head		

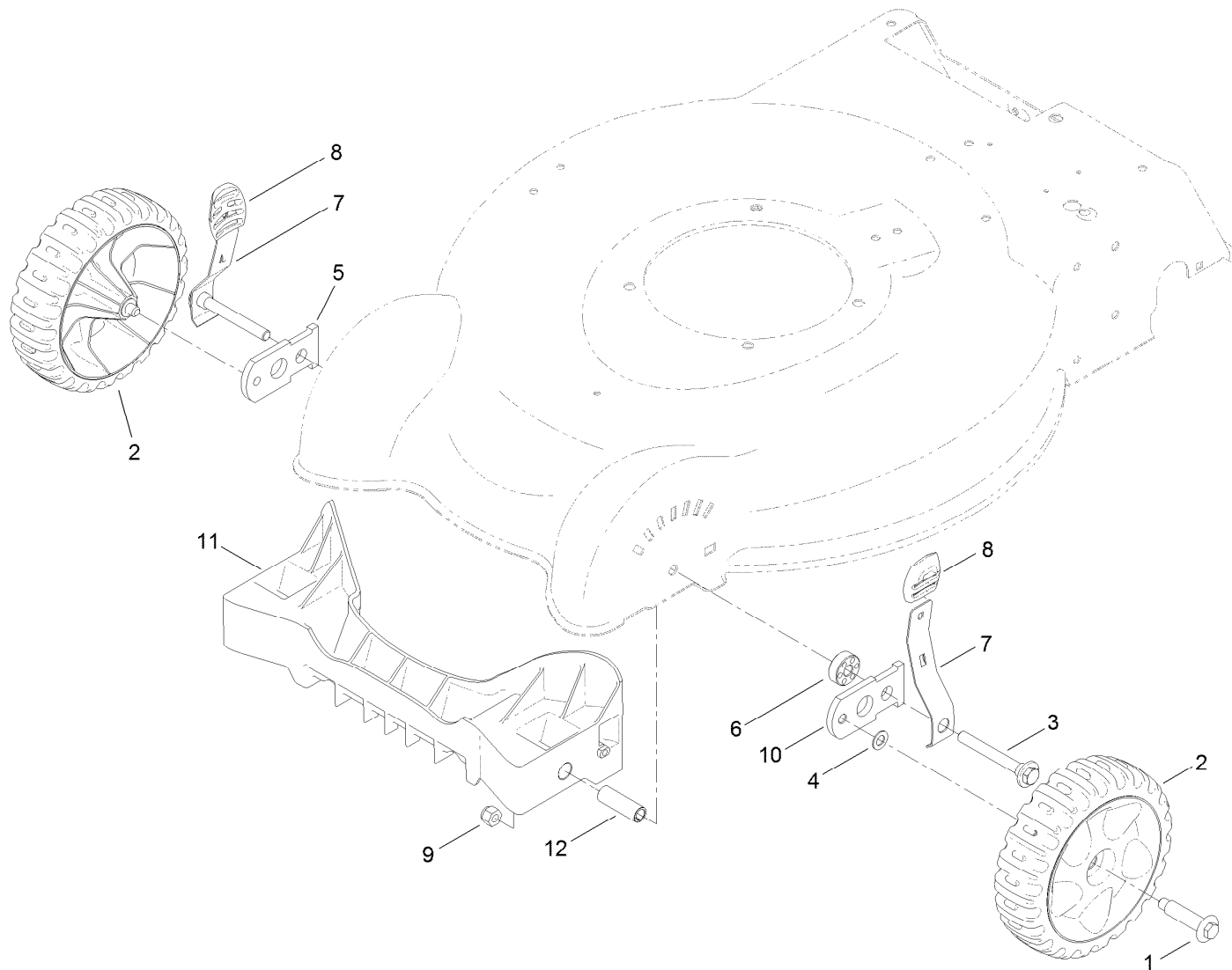
Contents

Housing Assembly	4
Front Wheel and Height-of-Cut Assembly	5
Transmission, Rear Wheel and Height-of-Cut Assembly	6
Engine and Blade Assembly	7
Engine Assembly No. 119-1989	8
Handle Assembly	10
Rear Bag Assembly	11
Attachments and Accessories	12



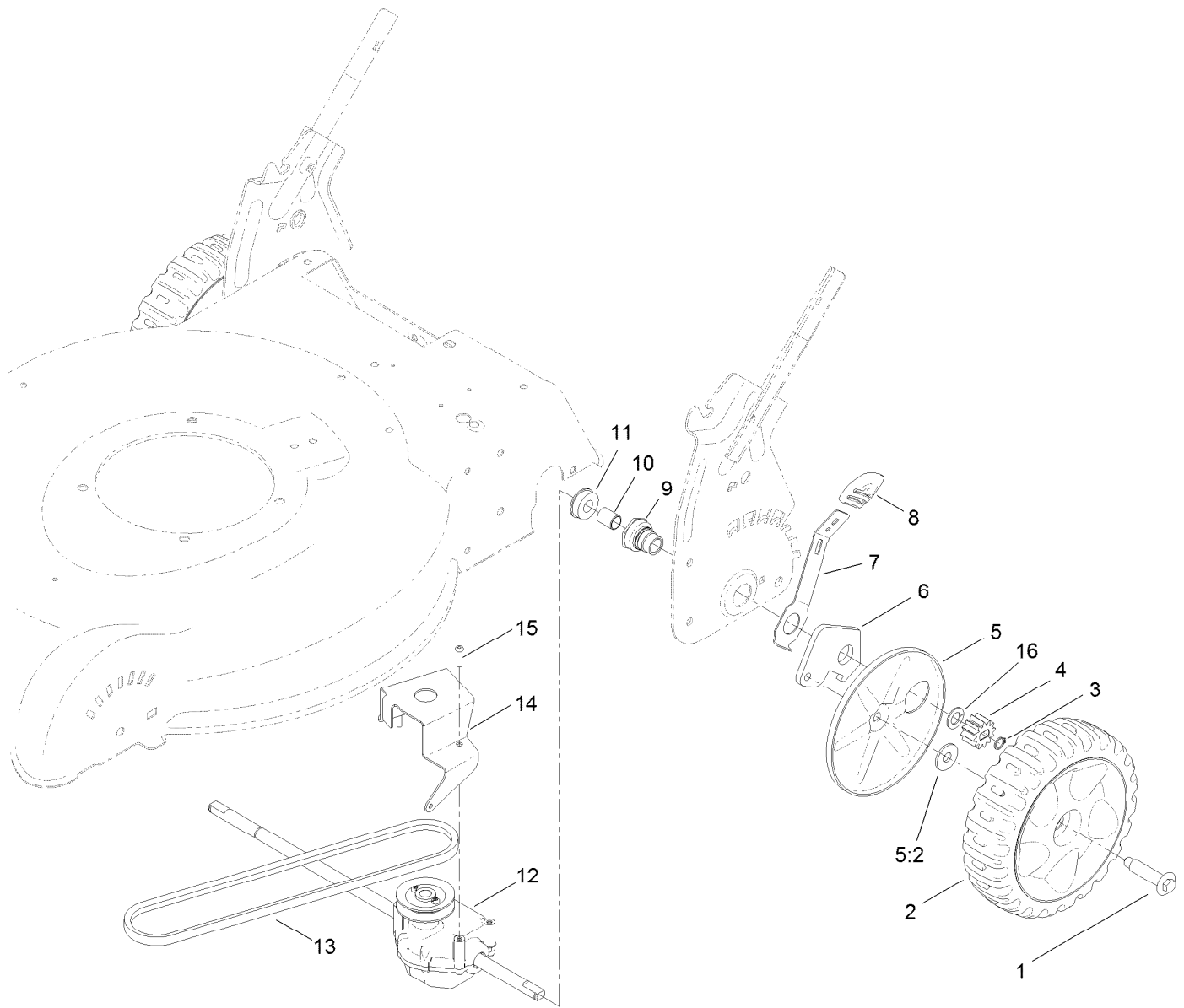
Housing Assembly

<i>Ref.</i>	<i>Part Number</i>	<i>Qty.</i>	<i>Description</i>	<i>Ref.</i>	<i>Part Number</i>	<i>Qty.</i>	<i>Description</i>
1	120-9482	1	Housing ASM	9	112-8768	1	Shield-Trailing
1:2	94-8072	1	Decal-Danger	10	3296-16	2	Nut-Lock, NI
2	112-8845	1	Chute-Rear	11	117-1092	2	Screw-PTH
3	112-8821	1	Baffle-Rear	17	119-3804-03	1	HOC-LH
4	46-8091	5	Screw-HWH	18	119-3805-03	1	HOC-RH
5	119-7029	1	Rear Deflector ASM	19	322-3	4	Screw-HH
6	119-7015	1	Spring-Torsion, LH	20	3229-11	2	Screw-CARR
7	119-7016	1	Spring-Torsion, RH	21	3296-29	4	Nut-Lock, NI
8	46-8093	3	Screw-Plastite				



Front Wheel and Height-of-Cut Assembly

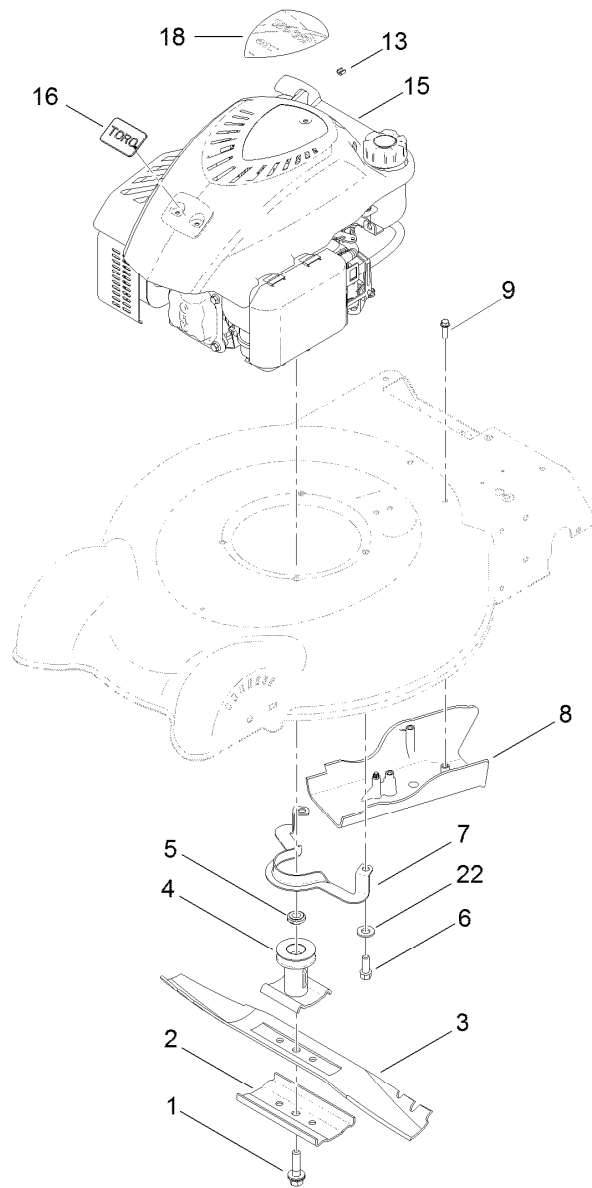
Ref.	Part Number	Qty.	Description
1	614650	2	Bolt-Shoulder
2	119-3777	2	7 Inch Wheel And Tire ASM
3	117-5996	2	Bolt-Shoulder
4	40-1940	2	Washer
5	107-3877	1	Arm-Pivot, RH
6	117-5997	2	Spacer-Arm, Pivot
7	112-8828	2	Arm-Spring, Front
8	105-3042	2	Knob-Lever, HOC
9	3296-39	2	Nut-Lock, NI
10	108-1044	1	Arm-Pivot, LH
11	119-7082	1	Baffle-Throw, Front
12	117-5992	2	Spacer-Baffle, Front



Transmission, Rear Wheel and Height-of-Cut Assembly

Ref.	Part Number	Qty.	Description
1	614650	2	Bolt-Shoulder
2	119-7068	2	8 Inch Wheel And Gear ASM
3	32151-61	2	Ring-Retaining
4	115-4668	2	Gear-Pinion, 12T
5	110-1792	2	Wheel Cover ASM
5:2	614426	1	Washer-Stepped
6	108-9781	2	Arm-Pivot, Rear
7	108-9780	2	Arm-Spring

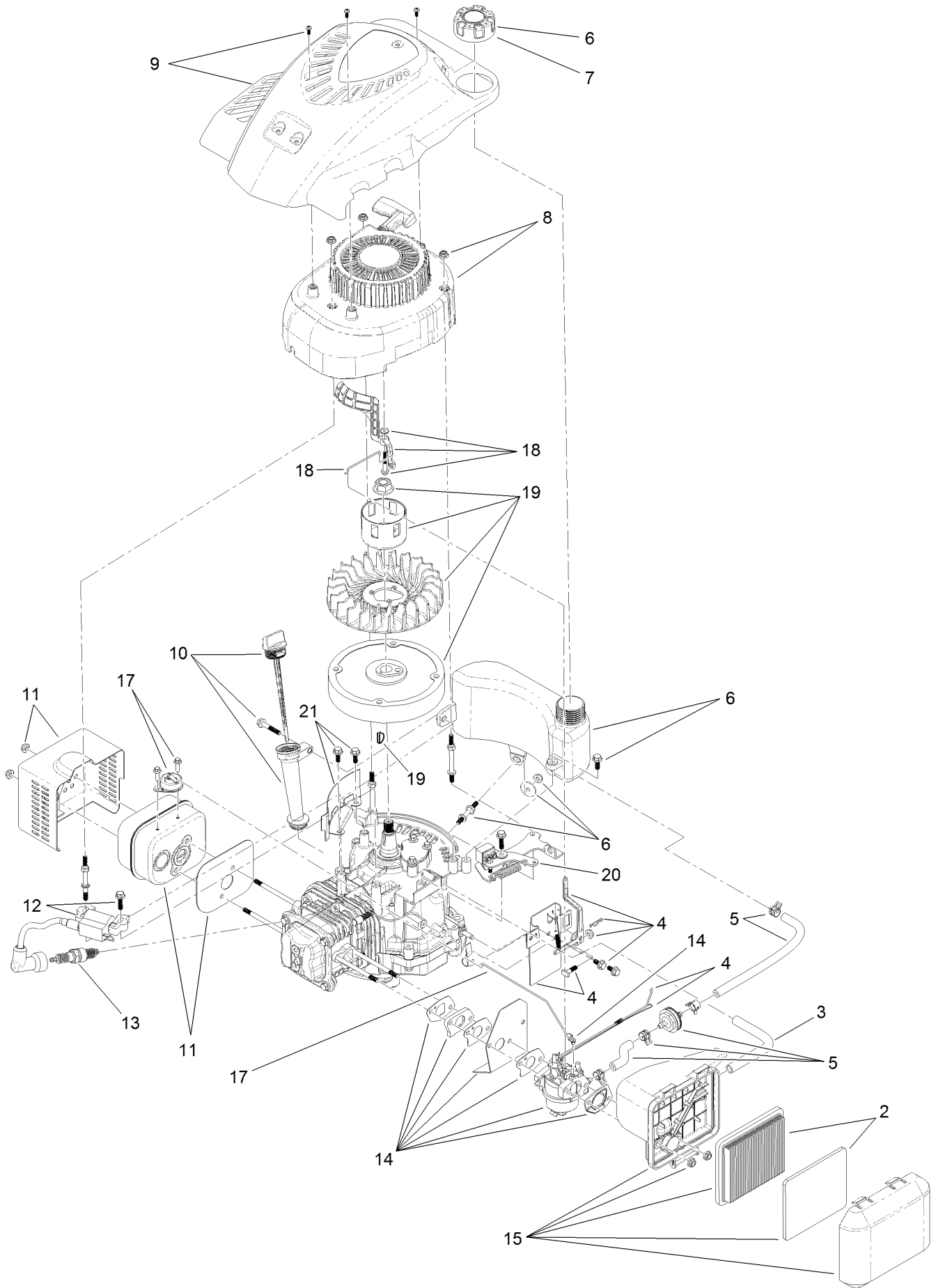
Ref.	Part Number	Qty.	Description
8	105-3042	2	Knob-Lever, HOC
9	108-9779	2	Retainer-Bushing, HOC
10	108-9782	2	Bushing-Sleeve
11	104-8699	2	Bearing-Ball
12	112-8831	1	Transmission ASM
13	110-9429	1	V-Belt
14	114-7977-03	1	Bracket-Transmission
15	108-7476	3	Screw-Plastite
16	110-7191	2	Washer-Thrust



Engine and Blade Assembly

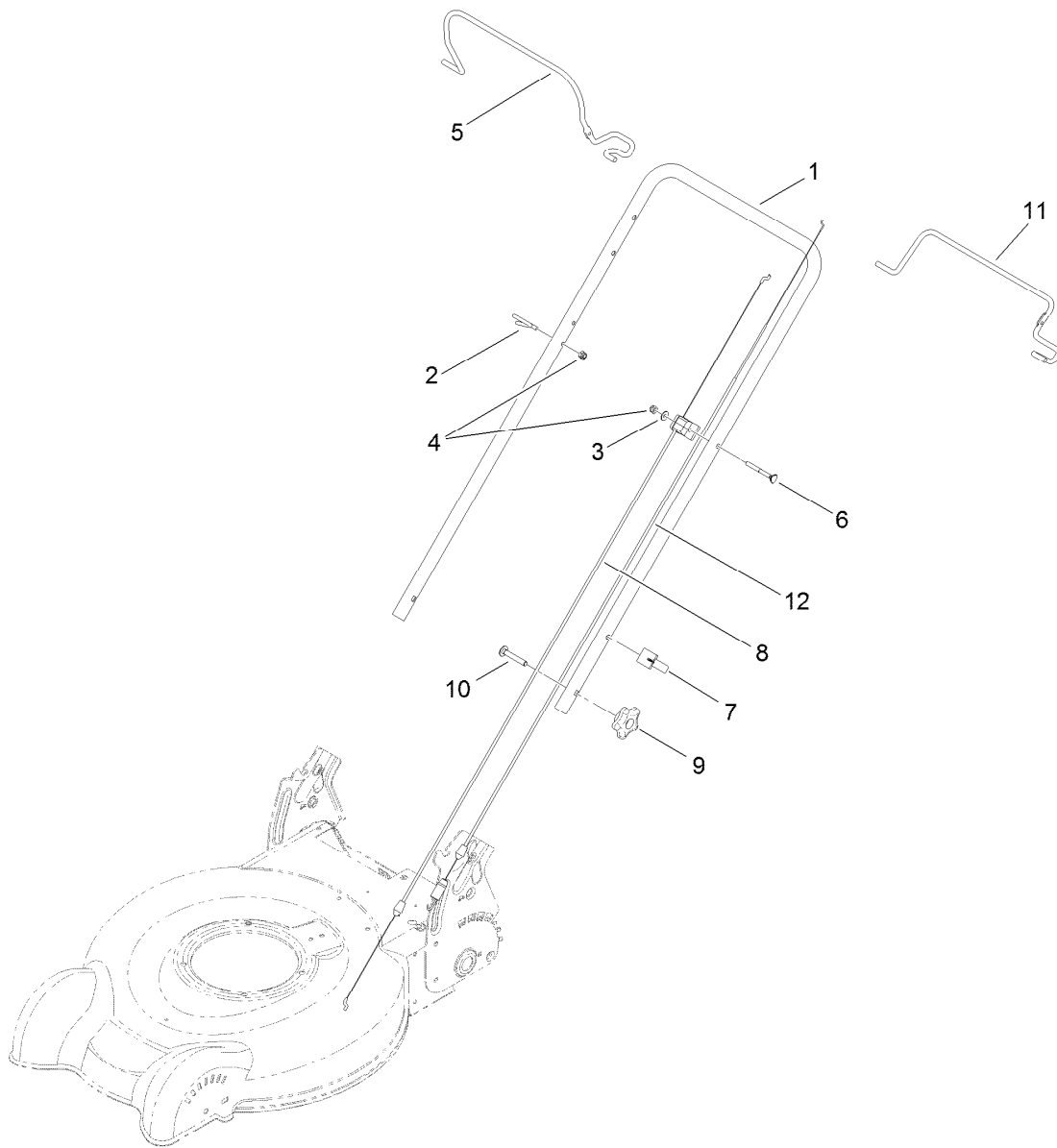
Ref.	Part Number	Qty.	Description
1	105-8579	1	Bolt-Blade
2	108-3766-03	1	Support-Blade
3	112-8841-03	1	Blade-20 Inch
4	106-3987	1	Blade Driver ASM
5	106-3999	1	Spacer-Driver
6	95-1726	3	Screw-Taptite
7	105-3030-03	1	Guide-Belt
8	112-8829	1	Cover-Belt
9	46-8091	3	Screw-HWH
13	92-1701	1	Stop-Rope
15	119-1989	1	Engine-Lc1P65Fa
16	119-3808	1	Plate-Logo, Toro
18	120-3315	1	Decal-Shroud
22	3256-24	2	Washer-Flat

Engine Assembly No. 119-1989



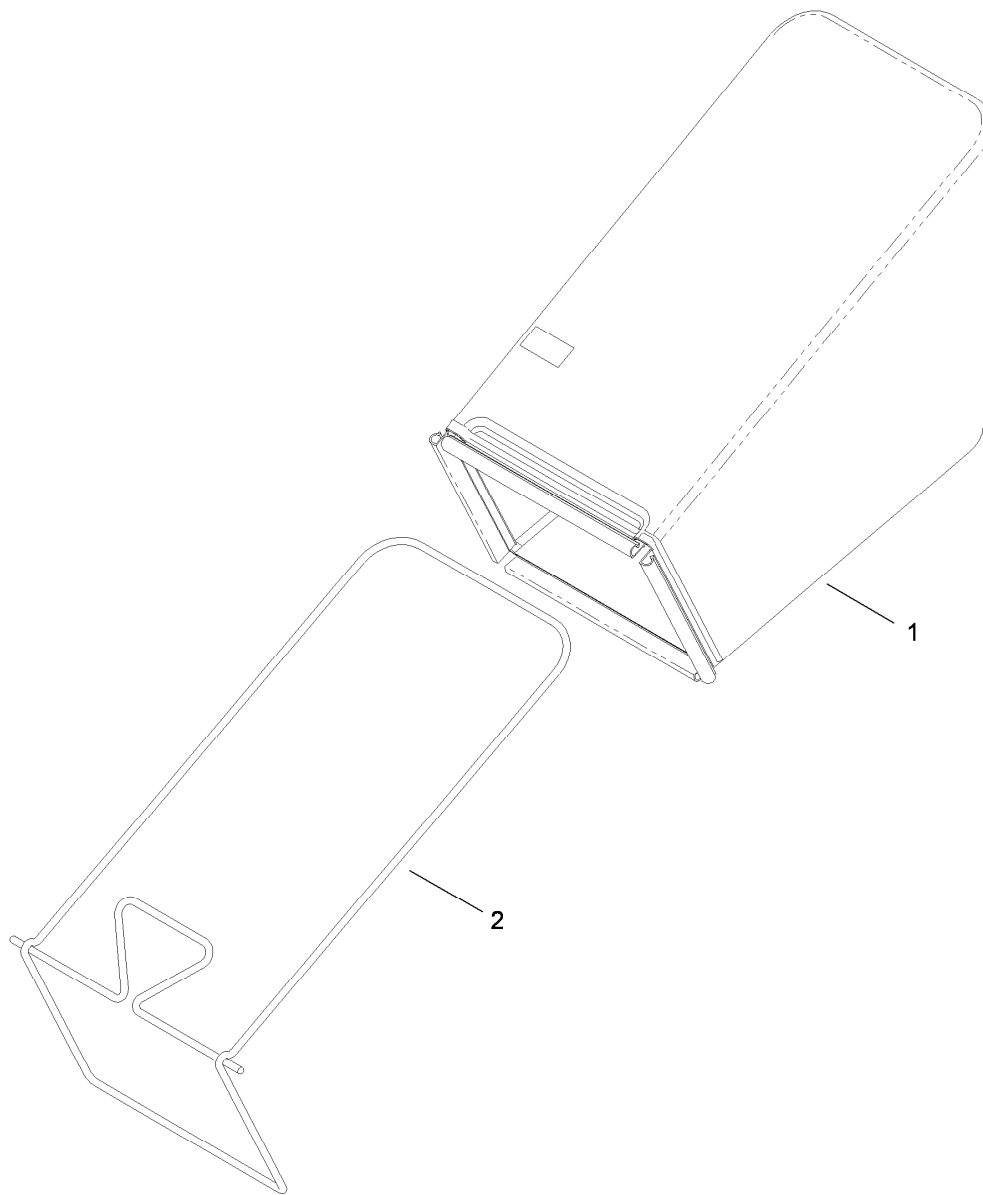
Engine Assembly No. 119-1989 (continued)

<i>Ref.</i>	<i>Part Number</i>	<i>Qty.</i>	<i>Description</i>	<i>Ref.</i>	<i>Part Number</i>	<i>Qty.</i>	<i>Description</i>
2	119-1909	1	Air Filter And Prefilter Kit	12	119-1908	1	Ignition And Hardware Kit
3	119-1902	1	Tube Breather Kit	13	119-1901	1	Spark Plug
4	119-1968	1	Governor Arm Kit	14	120-4404	1	Carburetor And Gasket Kit
5	120-4400	1	Fuel Line Kit (Filter And Clamps)	14	120-4405	1	Carb Float, Valve And Gasket Kit
6	119-1915	1	Fuel Tank Kit (Cap And Hardware)	15	119-1967	1	Air Filter Base Kit
7	119-1914	1	Fuel Cap Kit	17	119-1999	1	Thermal Choke Control Kit
8	119-1904	1	Shroud And Recoil ASM	18	119-1966	1	Air Vane Choke Kit
9	119-1990	1	Toro Style Kit	19	119-1970	1	Flywheel And Fan Kit
10	119-1903	1	Dipstick And Fill Tube Kit	20	119-1991	1	Brake ASM Recoil Kit
11	119-1969	1	Muffler And Shield Kit	21	119-1994	1	Flywheel Shield Kit



Handle Assembly

Ref.	Part Number	Qty.	Description
1	119-0308-05	1	Handle-Upper
2	86-9671	1	Guide-Rope
3	3256-1	1	Washer-Flat
4	3296-73	2	Nut-Lock, NI
5	117-5940-03	1	Bail-Brake
6	92-2270	1	Screw-Handle
7	114-7988	1	Guide-Cable
8	112-8818	1	Cable-Brake
9	117-5976	2	Knob-Handle, Locking
10	3230-6	2	Screw-CARR
11	112-8835-03	1	Bail-Traction, 2-Bail Flat
12	112-8817	1	Cable-Traction



Rear Bag Assembly

<i>Ref.</i>	<i>Part Number</i>	<i>Qty.</i>	<i>Description</i>
1	119-3759	1	Grass Bag ASM
2	120-7029-03	1	Bag Frame ASM

Attachments and Accessories

For 20314 20in Recycling/Rear Bagging Lawn Mower

Product Name

Model/Part

Cover-Lawnmower	490-7462
Rear-Discharge Deflector, 2009 and After 20in Steel Deck Mower	89964

Notes:

Notes:

Notes:



Count on it.